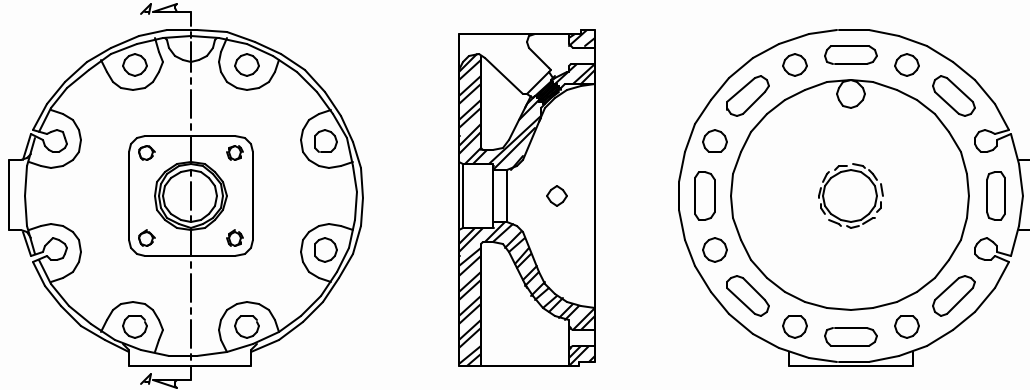


CYLINDER HEAD INSPECTION

CUSTOMER _____ UNIT NO. _____
 ENGINE/COMPRESSOR MODEL _____
 ENGINE/COMPRESSOR MAKE _____

DATE _____
 SERIAL NO. _____
 SHOP ORDER# _____



HEAD	ITEM	INSPECTION	FINDING	TO REPAIR
No. 1	CASTING	PRESS. TEST		
		MAGNAFLUX		
	GASKET SURFACE	TRUENESS		
	INJ. VALVE BORE	GASKET SURFACE		
	SPARK PLUG HOLE(S)	THREADS		
		GASKET SURFACE		
	J.W. CAVITY	VISUAL		
BOLT HOLES	TAP			
No. 2	CASTING	PRESS. TEST		
		MAGNAFLUX		
	GASKET SURFACE	TRUENESS		
	INJ. VALVE BORE	GASKET SURFACE		
	SPARK PLUG HOLE(S)	THREADS		
		GASKET SURFACE		
	J.W. CAVITY	VISUAL		
BOLT HOLES	TAP			
No. 3	CASTING	PRESS. TEST		
		MAGNAFLUX		
	GASKET SURFACE	TRUENESS		
	INJ. VALVE BORE	GASKET SURFACE		
	SPARK PLUG HOLE(S)	THREADS		
		GASKET SURFACE		
	J.W. CAVITY	VISUAL		
BOLT HOLES	TAP			
No. 4	CASTING	PRESS. TEST		
		MAGNAFLUX		
	GASKET SURFACE	TRUENESS		
	INJ. VALVE BORE	GASKET SURFACE		
	SPARK PLUG HOLE(S)	THREADS		
		GASKET SURFACE		
	J.W. CAVITY	VISUAL		
BOLT HOLES	TAP			

TECHNICIAN: _____ APPROVED: _____