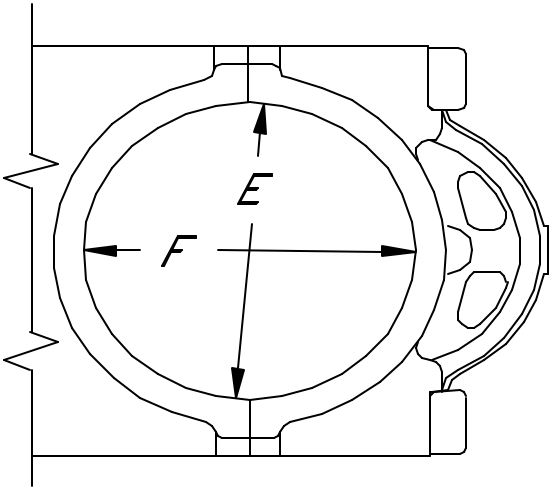


BEARING HOUSING (AJAX)

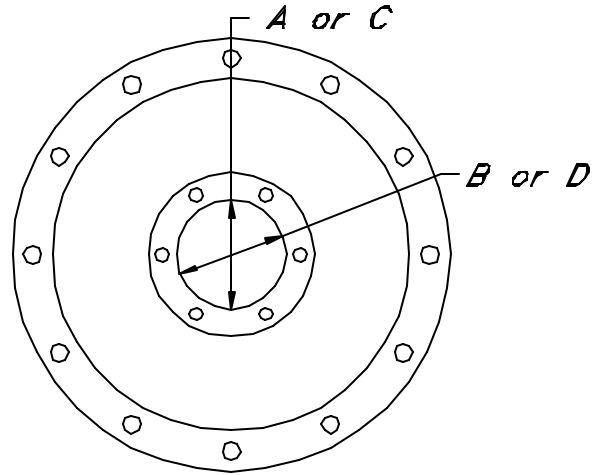


CUSTOMER _____ UNIT NO. _____
 ENGINE/COMPRESSOR MODEL _____
 ENGINE/COMPRESSOR MAKE _____

DATE _____
 SERIAL NO. _____
 SHOP ORDER# _____



CENTER MAIN HOUSING



OUTER MAIN BEARING HOUSING

	SIZE	SPEC	COND.
FLYWHEEL SIDE (A) (B)			
SHEAVE SIDE (C) (D)			
CENTER MAIN (E) (F)			

FLYWHEEL SIDE:	CLEANED	POLISHED	HONED	SLEEVED
SHEAVE SIDE:	CLEANED	POLISHED	HONED	SLEEVED
CENTER	CLEANED	SHIM TYPE	PREC.	RESIZED

REMARKS:

TECHNICIAN: _____
APPROVED: _____