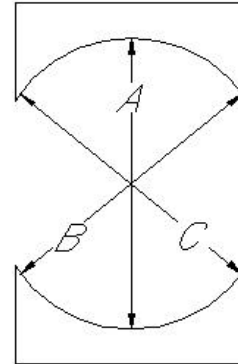


X-HEAD GUIDE SHEET

COMPRESSOR SERIAL NO. _____ CUSTOMER _____
 COMPRESSOR MODEL _____ LOCATION _____
 SHOP ORDER _____

FRONT=END AWAY FROM FRAME
 REAR=END NEXT TO FRAME

NO.		A	B	C
	FRONT			
	REAR			
	FRONT			
	REAR			
	FRONT			
	REAR			
	FRONT			
	REAR			
	FRONT			
	REAR			
	FRONT			
	REAR			

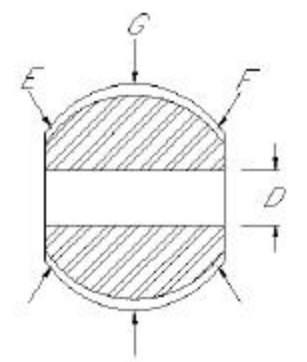


GUIDE PT. NO. _____

MIN.: _____
 MAX.: _____

IDS 14.007A

NO.		D	E	F	G
	FRONT				
	REAR				
	FRONT				
	REAR				
	FRONT				
	REAR				
	FRONT				
	REAR				
	FRONT				
	REAR				
	FRONT				
	REAR				



X-HEAD PT. NO. _____
 W/SHOES INSTALLED

MIN.: _____
 MAX.: _____

IDS 14.007B

REMARKS:

SIGNED _____ DATE _____