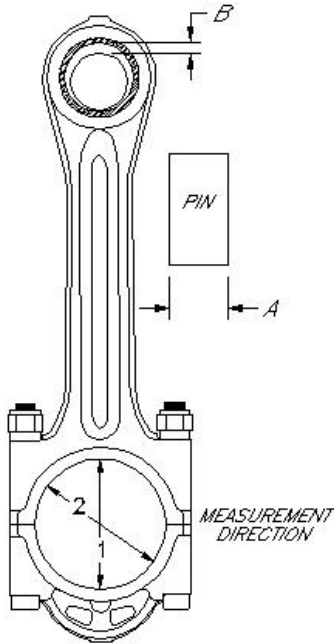


CONNECTING ROD SHEET

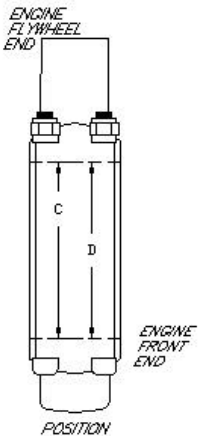
ENGINE /COMPRESSOR SERIAL NO. _____
 ENGINE/COMPRESSOR MODEL _____
 CONNECTING ROD PART NO. _____

CUSTOMER _____
 LOCATION _____
 SHOP ORDER _____



PISTON PIN O.D. (A)		PIN BUSH CLEARANCE (B)	
CYL. NO.	MIN. _____ MAX. _____	CYL. NO.	MIN. _____ MAX. _____
1R/1L		1	
2R/2L		2	
3R/3L		3	
4R/4L		4	
5R/5L		5	
6R/6L		6	
7R/7L		7	
8R/8L		8	

CONN ROD BORE DIMENSION (NO BEARING)



CYL. NO.	FLYWHEEL END (C)		FRONT ENGINE END (D)		CYL. NO.	FLYWHEEL END (C)		FRONT ENGINE END (D)	
	1	2	1	2		1	2	1	2
1R					1L				
2R					2L				
3R					3L				
4R					4L				
5R					5L				
6R					6L				
7R					7L				
8R					8L				

NEEDED FOR ALL RODS EXCEPT NEW ENDYNN

SIGNED: _____ DATE: _____