

PRODUCT BULLETIN

PB NO. 112
REV. 2

**SUBJECT: Upgrading Turbocharger Intercoolers for Clean-Burn
Converted Superior Engines (Models GTLX & GTLE)**

PROBLEM: Maintaining 130 degree F air inlet manifold temperatures during high ambient time periods.

SOLUTION: If you are a Superior Engine user in a hot climate, you will understand the difficulty associated with trying to achieve and maintain 130 degree F air manifold temperature. The Intercooler Upgrade Kit (P-K-031-263) includes a larger intercooler, adapters, gaskets, and transition connections for the existing turbocharger (see sketch and complete Bill of Materials on sheet 2/2).

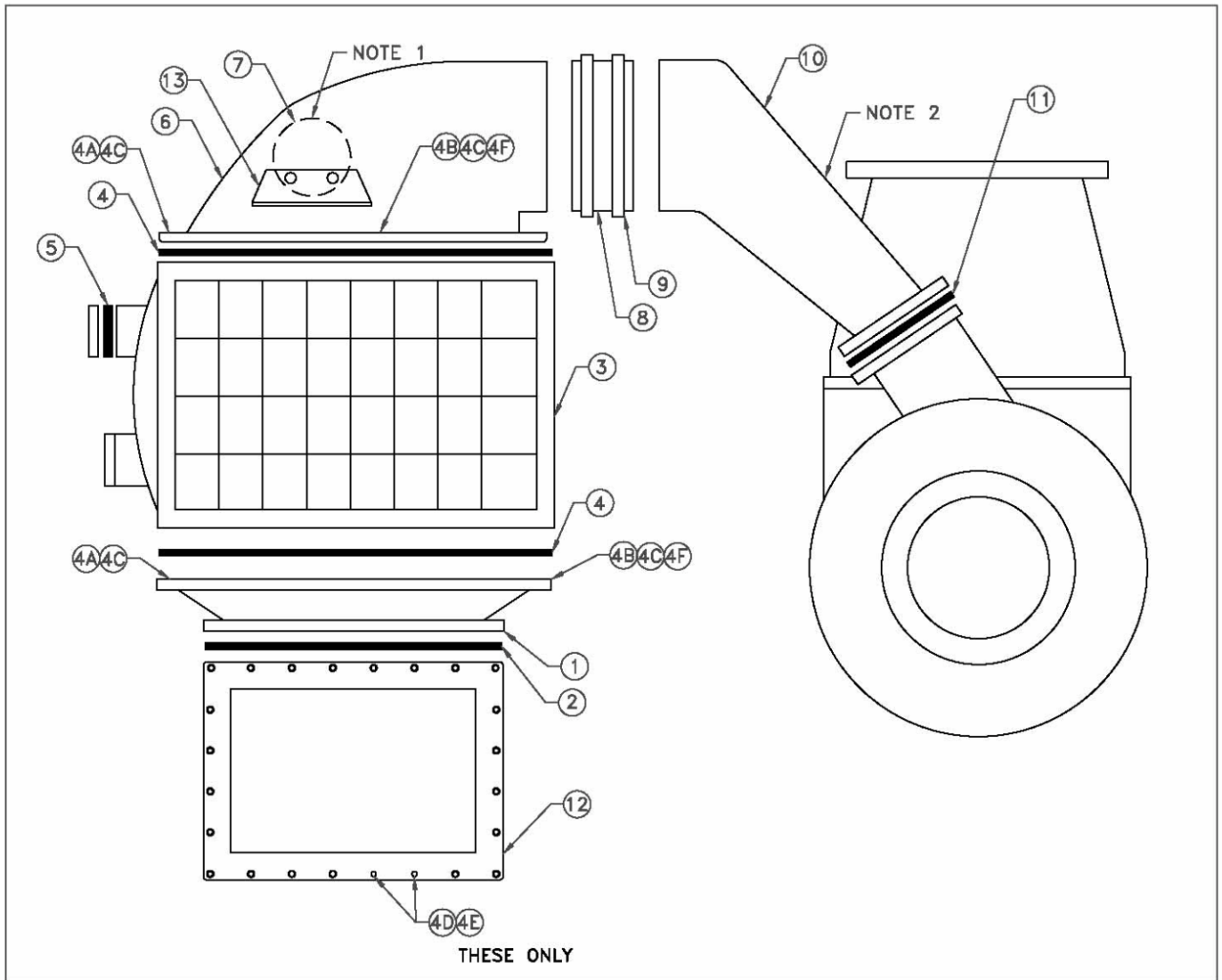
The intercooler is sized for clean-burn engine heat rejections of 6200 BTU/min. as compared to the existing intercooler (part number P-016-188) sized for 4700-4900 BTU/min. (approximately a 23% increase in capacity). The new intercooler will provide the capability of maintaining 130 degree F air inlet manifold temperature required for designed exhaust emissions.

For further information, price and availability, please contact **EnDyn** Sales Department or your local **PowerParts**[®] Distributor for a quotation.

3-25-09

MARKETING SERVICE DEPT.
300 West First
Alice, Texas 78332 USA
361.668.8311
800.723.6396
fax 361.668.3906
www.endyn.com

INTERCOOLER UPGRADE KIT



EnDyn INTERCOOLER UPGRADE KIT PARTS LISTS P-K-031-263

REF. NO.	PART NO.	PART DESCRIPTION	QTY
1	P-031-263-X-1	BRACKET	1
2	P-4A-2127	GASKET-INTAKE ADAPTER	1
3	P-031-263-X	INTERCOOLER	1
4	P-031-399	GASKET-INTERCOOLER	2
4A	P-01CS0612PC	SCREWS-1 1/2"	40
4B	P-01CS0616PC	SCREWS-2"	24
4C	P-01LW0600PO	LOCK WASHERS	86
4D	P-01AT0612PC	STUD	2
4E	P-02EN0600PC	HALF/JAM NUT	2
4F	P-01HN0600PC	NUTS	24

REF. NO.	PART NO.	PART DESCRIPTION	QTY
5	P-035-420-023	GASKET- WATER JUMP	2
6	P-031-437	INTERCOOLER ADAPTER	1
7	P-03PP3200SF	PIPE PLUG 4"	1
8	P-032-377-003	HOSE	1
9	P-034-052-003	HOSE CLAMP	2
10	P-031-437-X	TURBO ADAPTER	1
11	P-035-424-015	GASKET-TURBO ADAPTER	1
12	P-01CS0610PC	CAPSCREW HEX HEAD	22
13	P-WGSB-1	WASTEGATE SUPPORT	1

NOTE 1: PIPE PLUG FOR CLEAN BURN ENGINES WITHOUT THE WASTEGATE CONTROLLER

NOTE 2: TURBO ADAPTER MAY REQUIRE FIELD FABRICATION TO ENSURE PROPER FIT