

TECHNICAL BULLETIN

**TB NO. 1022
REV. 1**

**SUBJECT: Lube Oil Filter Element and Gaskets
Preventative Maintenance**

PROBLEM: Deterioration of the P-758-023-059 Lower Retainer Seal Grommet Allows Lube Oil to By-Pass Filter Causing Engine, Turbo, and Compressor Damage

SOLUTION: If you are a Superior Engine and/or Compressor user, you understand the importance of preventative maintenance for the lube oil system. With today's multi compound oils, proper filtration removes unwanted particles producing a visually clear lubricant. Therefore, oil sample analysis coupled with filter element inspections provide a basis for determining change periods.

In addition to replacing the filter element (no. 7 on attached drawing) and canister o-ring (no. 5) which are included in the P-757-316 Element Kit for external by-pass systems, it is also necessary to periodically replace the P-758-023-059 lower retainer seal grommet (no. 11). The seal grommet is located between the spring loaded retainer (no. 9) and the lube oil discharge pipe. If this seal is not periodically replaced (approximately every other oil change), the rubber can start to deteriorate, allowing un-filtered oil to by-pass the filter. Ultimately, this could cause severe damage to the engine, turbocharger, and compressor running gear.

Internal by-pass filter systems users (not shown in drawing) should order the P-022-066 Filter Element Kit which includes the lower seal grommets. The breakdown of this kit is shown below:

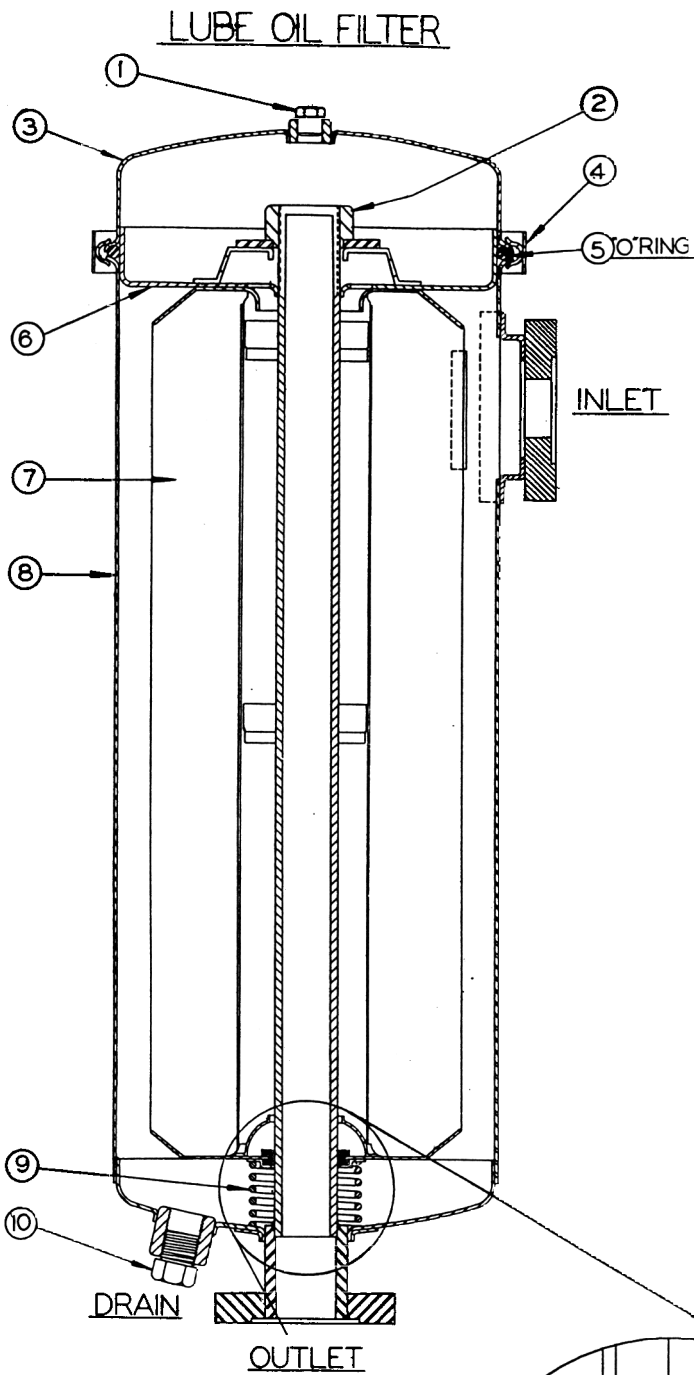
<u>Part Number</u>	<u>Part Name</u>	<u>Quantity</u>
P-758-133	Filter Element	1
P-758-023-030	O-Ring	1
P-005-989	Seal Grommet	2

The above precautions should be integrated into the user's current preventive maintenance program. Failure to adhere to these precautions can lead to significant damage to the equipment's running gear. Please contact **EnDyn's** Technical Service Department or your local **EnDyn PowerParts®** Distributor with any questions.

1-9-96

TECHNICAL SERVICE DEPT.
300 West First
Alice, Texas 78332 USA
361.668.8311
800.723.6396
fax 361.668.3906
www.endyn.com

EnDyn
Parts List
Lube Oil Filter
P-019-595-003

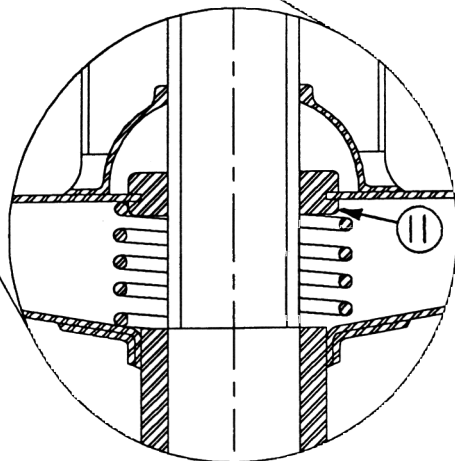


Item No.	Part Number	Part Name	Qty.
1	P-756-966	Vent Plug	1
2	P-758-023-003	Hold Down Knob Assembly	1
3	P-756-968	Cover Assembly	1
4	P-756-969	Band Clamp	1
* 5	P-758-023-030	"O" Ring	1
# 6	P-757-214	Seal Flange Assembly	1
* 7	P-758-133	Element	1
8	P-758-023-019	Filter Shell Assembly	1
9	P-758-023-058	Retainer Assembly	1
10	P-756-975	Drain Plug	1
11	P-758-023-059	Seal Grommet - New	1
## 12	P-756-974-S	Seal Grommet - Old	1
	P-756-976	Warning Tag	1
	P-756-977	Instruction Plate	1

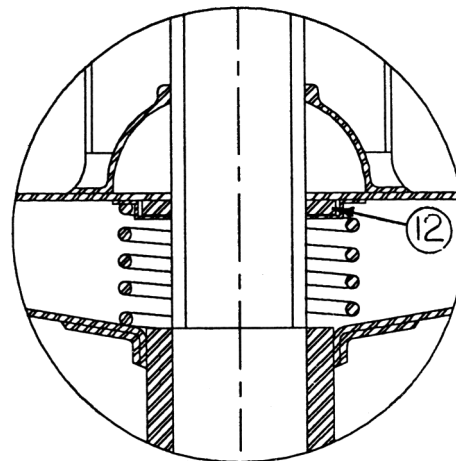
* NOTE: Items components of P-757-316 Element Kit.

NOTE: Assembly contains P-758-023-059 seal grommet.

NOTE: Alternate design retainer assemblies may need the thinner 1/8" seal grommet (P-756-974-S).



New Design



Alternate Design