



TECHNICAL BULLETIN

TB NO.1012

REV. 0

SUBJECT: Oil leaks between the cylinder heads and cylinder block on Superior 6-G-510 engines.

PROBLEM: Existing engines are equipped with a rubber grommet seal arrangement between the cylinder head and block. Due to insufficient crush, hardening of the grommet due to high temperatures, etc. leaks develop.

SOLUTION: The attached lists components drawing (P-SK-5100) outlines the procedure and components list required for converting to an external oil supply system. This would eliminate the grommets.

For further details, components, and/or assistance, please contact **EnDyn's** Technical Service Department or your local authorized **PowerParts®** Distributor.

9-29-92

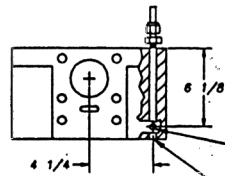
TECHNICAL SERVICE DEPT.
300 West First
Alice, Texas 78332 USA
361.668.8311
800.723.6396
fax 361.668.3906
www.endyn.com

P-SK-5100

BILL OF MATERIALS

ITEM	QTY	PART NO.	DESCRIPTION
1	15'	P-04TU040261	TUBING
2	6	P-061-016	TEES
3	18	P-01PP0100SP	PLUGS
4	2	P-061-043	FITTINGS
5	6	P-061-012	FITTINGS

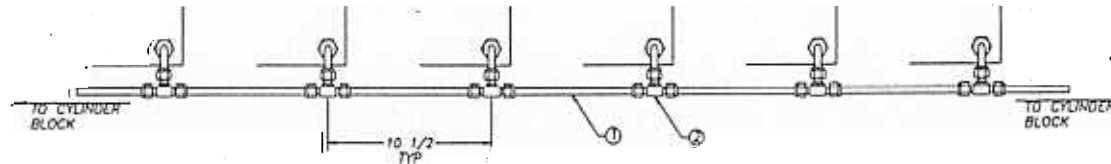
DO NOT USE GALVANIZED FITTINGS



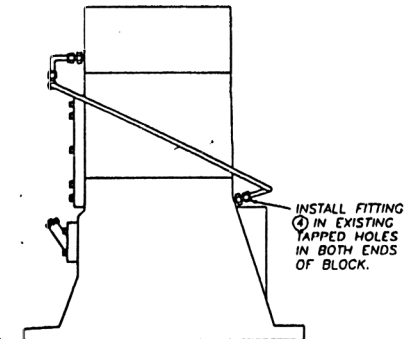
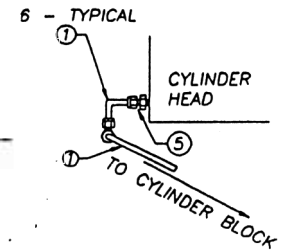
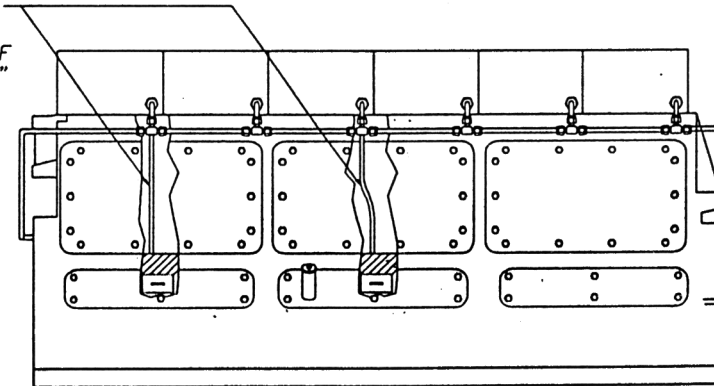
DRILL #R AND TAP 1/8" NPT INTO OIL PASSAGE.

TAP EXISTING HOLE 1/8" NPT AND PLUG USING ITEM 3.

DATE	REV	REVISION RECORD	DR	CK



REMOVE EXISTING TUBING & PLUG HOLES AT TOP OF CAM BEARING JOURNALS AND TOP OF BLOCK WITH ITEM 3. TAP 1/8" NPT WHEN REQUIRED. TYPICAL - 12 PLACES.



NOTES:

1) ALL DIMENSIONS ARE IN INCHES.

TOLERANCES (EXCEPT AS NOTED)

FRACTIONAL ± 1/64"

EnergyDynamics



PowerParts®

EnergyDynamics, Inc.

300 WEST 1ST STREET · ALICE, TX · 78332

TITLE
ROCKER ARM OILER - CONVERSION FROM INTERNAL TO EXTERNAL OIL SUPPLY LINES.

APPLICATION 6G510 SUPERIOR	DATE 7/15/93	SCALE NONE
-------------------------------	-----------------	---------------

DRAWN BY JS	DRAWING NUMBER P-SK-5100	REV 0
----------------	-----------------------------	----------